



# CRAVINORD

COMPONENTI

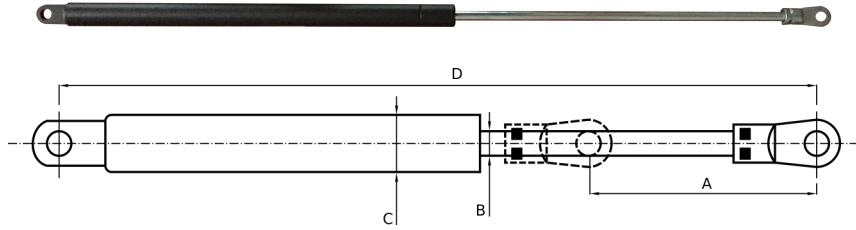


[www.cravinord.com](http://www.cravinord.com)



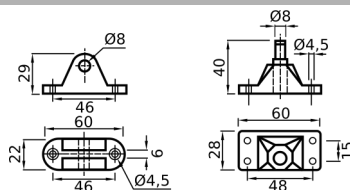
## MOLLE GAS

### MOLLA GAS

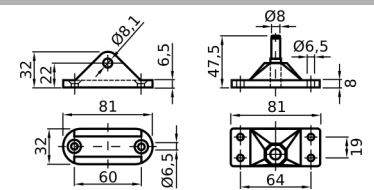


CODICE	KG.	A	B	C	D	ATTACCO
CN051.P.082500379D	10	85	8	19	255	A3-B3
CN051.P.082520461D	20	85	8	19	255	A3-B3
CN051.P.082520480D	20	250	8	19	600	A3-B3
CN051.P.082520989D	25	130	8	19	355	A3-B3
CN051.P.082520987D	30	85	8	19	255	A3-B3
CN051.P.082520472D	30	185	8	19	485	A3-B3
CN051.P.082520475D	30	220	8	19	550	A3-B3
CN051.P.082520994D	30	245	8	19	585	A3-B3
CN051.P.082520481D	30	250	8	19	600	A3-B3
CN051.P.082520464D	35	95	8	19	290	A3-B3
CN051.P.082520484D	35	310	10	22	700	A15-B15
CN051.P.082520477D	40	220	8	19	550	A3-B3
CN051.P.082520479D	40	239	10	22	590	A3-B3
CN051.P.082520469D	50	155	8	19	405	A3-B3
CN051.P.082520473D	50	185	10	22	485	A3-B3
CN051.P.082520486D	55	310	10	22	700	A15-B15
CN051.P.082520482D	60	255	10	22	600	A15-B15
CN051.P.082520487D	70	310	10	22	700	A15-B15
CN051.P.082520483D	80	255	10	22	600	A15-B15
CN051.P.082520489D	80	360	10	22	800	A15-B15
CN051.P.082520144D	90	360	10	22	800	A15-B15
CN051.P.082510300D	100	350	14	28	800	A15-B15
CN051.P.082510291D	110	255	10	22	600	A15-B15
CN051.P.082510301D	130	350	14	28	800	A15-B15
CN051.P.082521381D	200	300	14	28	700	A15-B15
CN051.P.082521457D	200	350	14	28	800	A15-B15

#### ATTACCO A3-B3



#### ATTACCO A15-B15



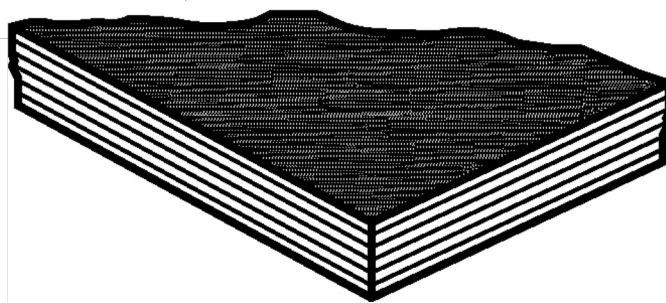
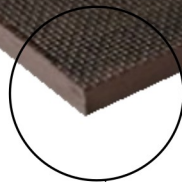
CODICE	Versione
CN051.P.082514962	ALLUMINIO NERO

CODICE	Versione
CN051.P.082513963	ALLUMINIO NERO



## PANNELLI MULTISTRATO

PANNELLO MULTISTRATO IN BETULLA - Un lato antisdrucchiolo

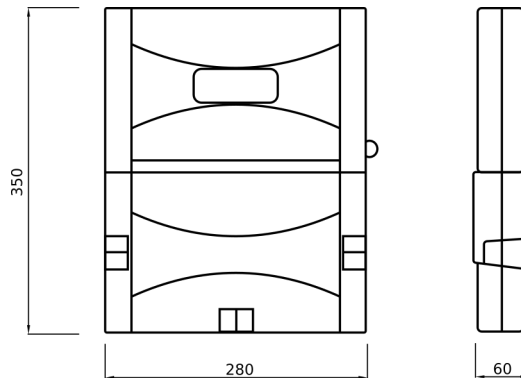


CODICE	Larghezza (mm)	Lunghezza (mm)	Spessore (mm)
CN034.COM0001.01	2500	1525	9
CN034.COM0004.RU	2500	1525	12
CN034.COM0007.RU	2500	1525	15
CN034.COM0006.00	2500	1250	15
CN034.COM0010.RU	2500	1525	18
CN034.COM0012.RU	2500	1525	21
CN034.COM0014.RU	2500	1525	24
CN034.COM0013.00	2500	1250	24
CN034.COM0016.RU	2500	1525	27
CN034.COM0015.00	2500	1250	27
CN034.COM0018.RU	2500	1525	30
CN034.COM0017.00	2500	1250	30
CN034.COM0020.RU	2500	1525	35
CN034.COM0019.00	2500	1250	35



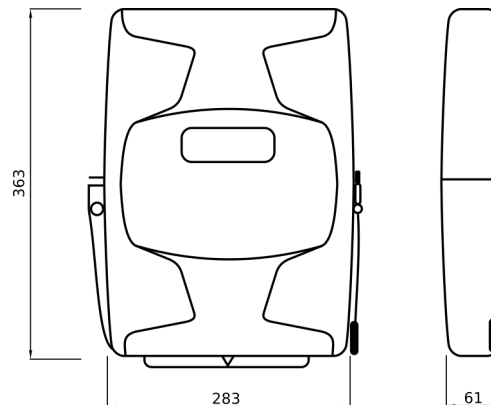
## PORTA DOCUMENTI

POD



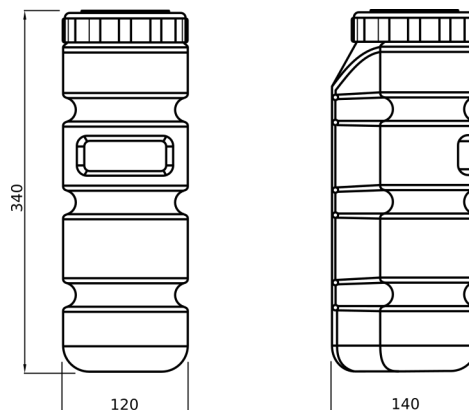
CODICE	Versione
CN049.PDC0000000	POLIETILENE

DOCUBOX



CODICE	Versione
CN049.PDC0000001	POLIPROPILENE

CILINDRICO



CODICE	Versione
CN049.PD70026108	POLIETILENE